

## Specification

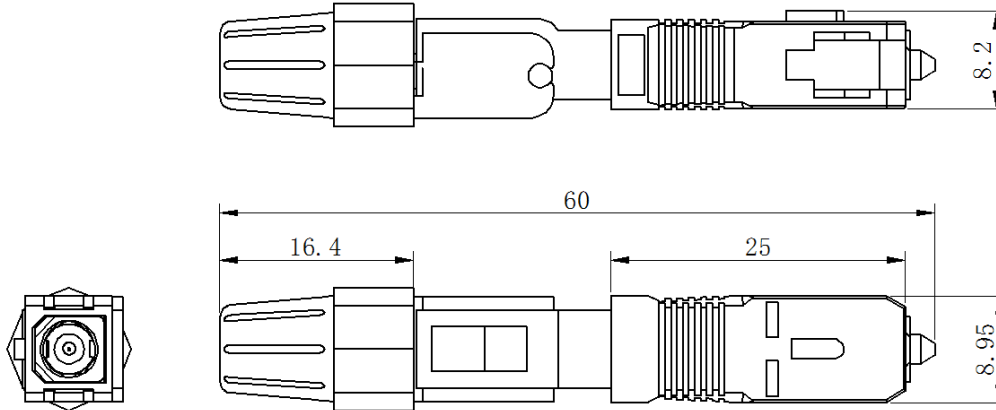
**Model No** ORG-TSAT-FAC2/ORG-TRS-FAC2-SX

### SC/APC Filed Assembly Connector



#### 1.Product Structure

##### 1.1 Measured the Structure



## 2.Optical Characteristics

Category	Specification		Remarks
Available for	Drop cable. Indoor cable		
Fiber mode	Single mode or Multi mode		
Operation time	S	About 50(no fiber cut)	
Insertion Loss	dB	≤0.5	
Insertion Loss Typical value	dB	≤0.3	
Return Loss	dB	≥55	
Fastening strength of naked fiber	N	≥5	
Tensile strength	N	≥50	
Reusable	Time	≥10 times	
Operating Temperature	°C	-40~+85	
On-line tensile strength(20N)	dB	ΔIL≤0.3	
Mechanical durability(500 times)	dB	ΔIL≤0.3	
Drop-off test(drop-off height 4m,once per direction, totally 3 times)	dB	ΔIL≤0.3	

## 3.Environmental performance requirements

Category	Specification			
	Condition	IL Variation	RL Variation	Appearance
High TEMP	110°C, 200H	≤0.5	≤5	No mechanical damage, like deformation, cracking and un-tight
Low TEMP	-40°C, 200H	≤0.5	≤5	
TEMP Cycling	-40~85°C, 3.5H/Cle, 100C	≤0.5	≤5	
HAST	110°C, 90%RH,200H	≤0.5	≤5	
Immersion	25°C,200H	≤0.5	≤5	
Salt Mist	5% Nacl, 6.5<PH<7.5, 35°C,200H	≤0.5	≤5	

#### 4. Mechanical Performance Requirements

Category	Specification			
	Condition	IL Variation	RL Variation	Appearance
Impact	Height: 4m; 1 drop each axis; 3 cycles	≤0.5	≤5	No mechanical damage, like deformation, cracking and un-tight
Vibration	Frequency: 10 ~ 50HZ; Sweep: 45 times / min; amplitude: 0.75mm; Duration:30min each axial	≤0.5	≤5	
Torsional	Pull: 15N; The distance between Loading location and fast connector: L = 22-28cm; Rate: 10times / min. Times: 200	≤0.5	≤5	
Tensile	Pull: 50N; The distance between Loading location and fast connector: L = 22-28cm; Duration:1 min.	≤0.5	≤5	

#### 5. Product Packaging Information

##### 5.1 Blister Box Packing

	Size(CM)	14.5x7x1.5
	QTY(PCS/Box)	10
	N.W(KG/PCS)	0.0034
	N.W(KG/Box)	0.036
	G.W(KG/Box)	0.044