

# DOCSIS 3.1 ELITE SERIES

## Isolators

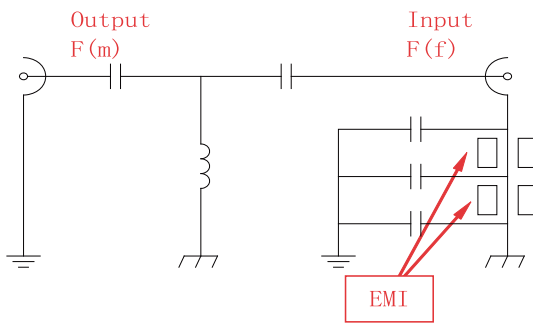
## Mini Barrel Isolators

### GIX107, GIX107SP



- Bandwidth: 5~2000 MHz.
- An outstanding isolator that conforms IEC-60728-11&10 safety requirements and
- Class A screening effectiveness EN50083-2.
- Zinc alloy die-cast housing with nickel plating (2 $\mu$ m).
- F-Female to F-male, innovative design provides superior performance in a very small housing and ease of installation.
- Inner conductor : Phosphorus Bronze with Nickel plating.
- F female ports meets IEC 61169-24 standard.
- Surge Protection: 1KV 1.2us/50us <35V RMS
- Voltage Breakdown: 3KVDC 5 hits.
- Spike protection specifications(for GIX107SP only):  
Current suppression: 500 Amp. (2x10 $\mu$ sec).  
Clamping voltage: 65V.  
Response time: 1 nsec.

### Schematic



Taiwan Patent No. M438750  
China Patent No. ZL 2012 2 0216945.3  
EU Paten No. 2658137

### Specification

Model No.	GIX107, GIX107SP	Test (-dB)	
Item	FREQ (MHz)	QA	TYP
INSERTION LOSS (IN-OUT) (-dB MAX)	5-6	0.7	0.7
	7-470	0.7	0.7
	471-862	0.7	0.7
	863-1000	0.7	0.7
	1001-1500	1	1
	1501-1700	1.8	1.8
RETURN LOSS (-dB MIN)	5-1000	20	20
	1001-1500	18	18
	1501-17000	16	16
Screening Effectiveness (EN 50083/2)	3-300	85	
	300-470	80	
	470-950	75	
	950-1000	55	
Galvanic Isolation	Ports		
2120VDC Note 1, 3	Inner conductor (Input) to Inner conductor (Output)		
	Outer conductor (Input) to Outer conductor (Output)		
230 VAC Note 2, 4	Inner conductor (Input) to Inner conductor (Output)		
	Outer conductor (Input) to Outer conductor (Output)		
Note			
1	Two carriers (60 & 65 MHz), Out to In, @ 120dB $\mu$ V, after 10 pulses (25V/1.2 $\mu$ S rise time/50 $\mu$ S fall time) at all ports		
2	Two carriers (60 & 65 MHz), Out to In, @ 120dB, after 1 pulse (1KV/1.2 $\mu$ S rise time/50 $\mu$ S fall time) at all ports		
3	IEC-60728-11&10 Safety Requirement: 2120 VDC T>=1 minute, I<=0.7 mA		
4	IEC-60728-11&10 Safety Requirement: 230 VAC I<=2.0 mA RMS (5°C to +40 °C)		
Electrical Specifications: 5 °C to +40 °C			
Operating Temperature: -20°C ~ +40 °C			
Impedance: 75 $\Omega$			

### Packing Detail

DIMENSIONS:  $\phi$ 14.4\*57.3 mm  
N.W./PIECE: 30 g

G.W./INNER BOX: 1700 g  
PCS\*INNER BOX: 50\*12

QTY/CTN: 600 pcs  
G.W./CTN: 20 kgs  
CTN SIZE: 33\*23\*20 cm