

Fiber Optic Splice Dome Closure

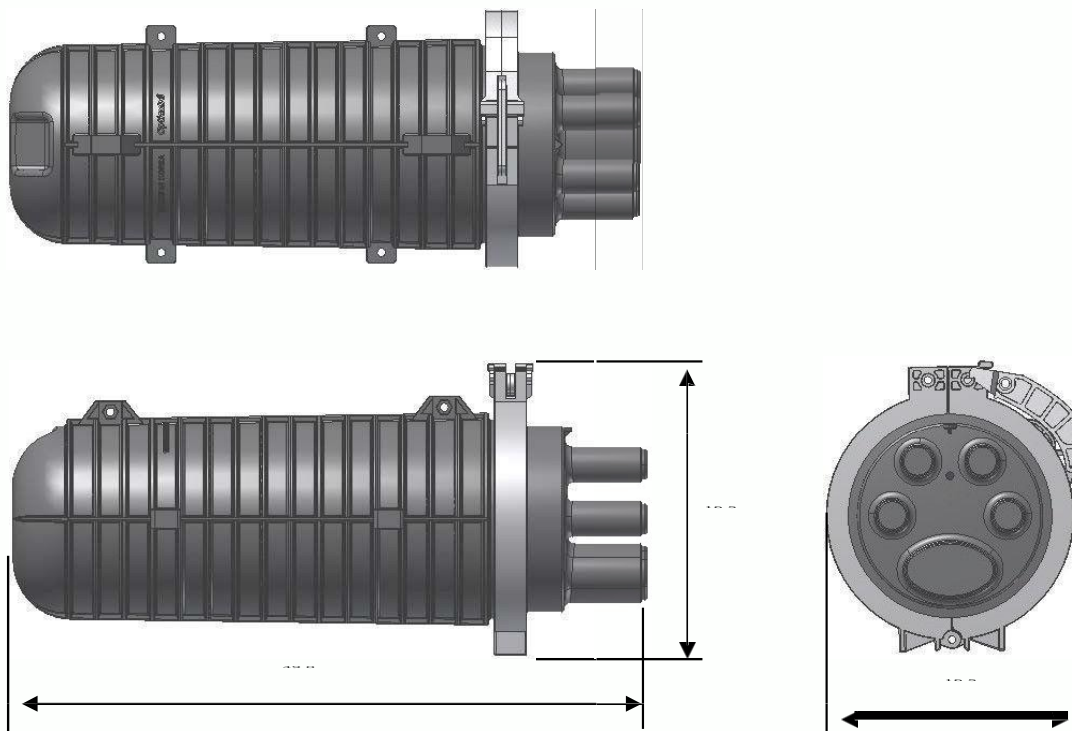


Fiber Optic Splice Dome Closure for various installation condition

VSOE-BS506A



Fiber Optic Splice Dome Closure for various installation condition



✓ Specifications

Item	BS506A
Size (mm)	490 x Φ 165
Weight (kg)	3 (Exclude the Hanger)
Inlet Port	5 (Oval 1)
Cable Dia. (mm)	Φ 8 ~ Φ 24
No. of Tray	6
Tray Capacity	24C (Max.48C)
Splicing Capacity	144C (Max.288C)
Splicing Method	Fusion , Mechanical
Splice Protector	Heat shrinkable sleeve
Cable Sealing	Heat shrinkable tube

Fiber Optic Splice Dome Closure for various installation condition



1. Configuration

Reliable moisture-tight housing with hot-melt type sealing

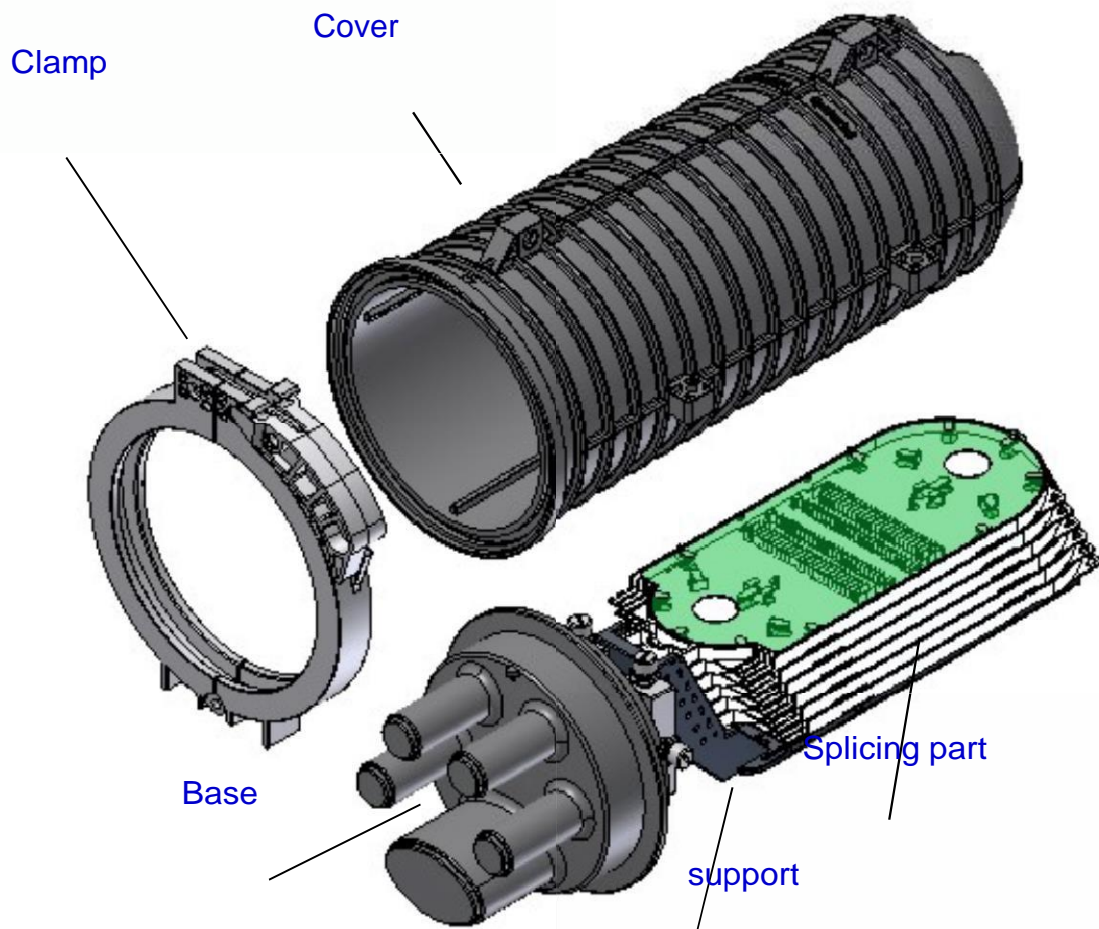
Ribbed body structure protects against impact and compression

Efficient fiber management by splice tray holding structure

Ease of use for closure assembly

Easy clamping of tension member and grounding

Great quantity of fiber optic cable can make an excellent environment performance



Fiber Optic Splice Dome Closure for various installation condition



2. Feature

Cover

Ribbed cover for greater impact and compressive strength

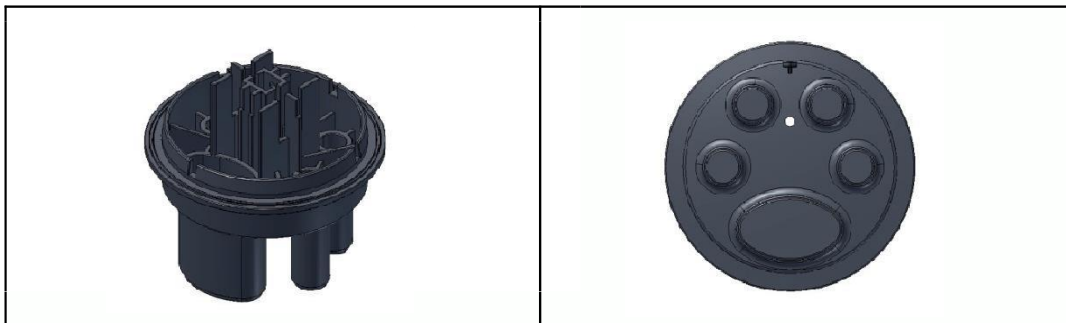
Hanger connecting part for easy installation.



Base

4 single and 1 oval port configuration

Waterproof performance of the inlet cable a stable fixed and applied heat shrink tube



Clamp

Ease of use for closure assembly



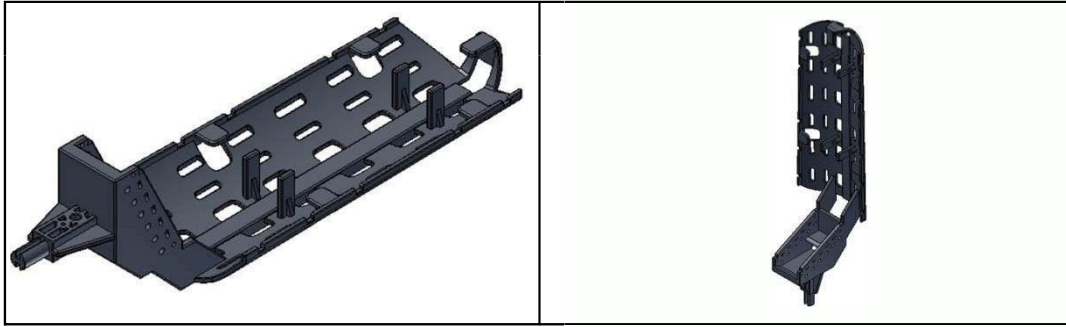


2. Feature

Tray support & Spool

Tray supporter accommodates 6 trays and is able to fix it at 60 in open state

Efficient storage for loose tube in the unit spool

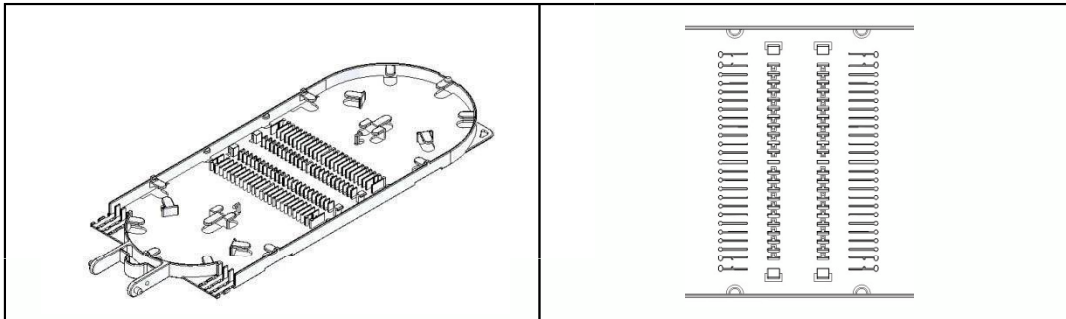


Splicing part

6 inlet ports in the tray

Double layered storage (maximum 48 fibers by inserting two sleeves in one slit)

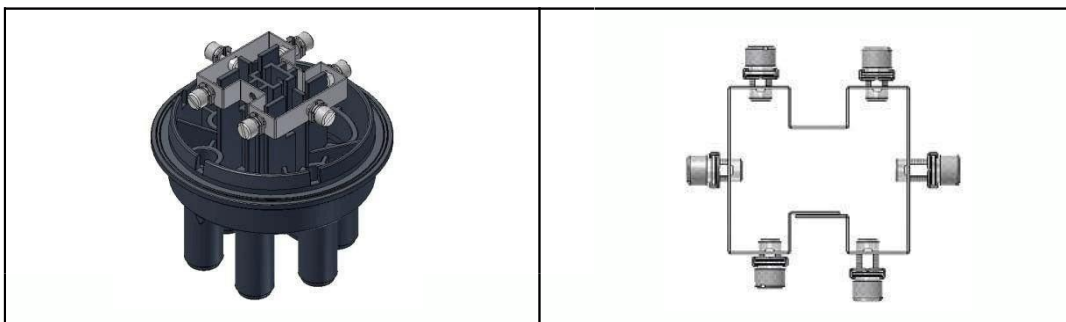
The Tray accommodates 2 splitter



Tension Member

Convenient usage of tension member by hand.

Tight and stable fastening of central strengthen member





Specifications published here are current as of the date of publication of this document. Because we are continuously improving our products, VISSEM reserves the right to change specifications without prior notice. At any time, you may verify product specifications by contacting our R & D division, views its patent portfolio as an important corporate asset and vigorously enforces its patents. Products or features contained herein may be covered by one or more Korea or foreign patents.