



## WF1232KL Amplifier

### 1. Product Summary

**WF1232KL** indoor bi-directional amplifier is mainly used for bi-directional transmission of CATV television image signal, digital TV signal, telephone voice signals and data (or compressed data) signal.

### 2. Performance Characteristics

- Frequency range: 5-85/110-1218MHz.
- AGC control
- Low power  $P \leq 5W$

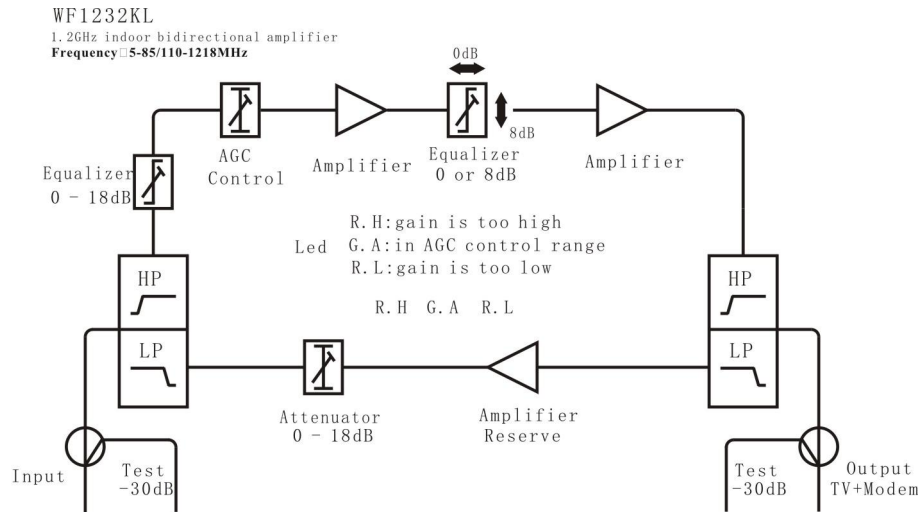
**Analog TV: (EN50083-3, 42CHANNELS) CTB $\leq$  -60dB, CSO $\leq$  -60dB.**

### 3. Technique Parameters

Item	Unit	Technical Parameters	
Forward Path			
Frequency range	MHz	110-1218MHz	
minimum gain	dB	32	
Rated input level	dB $\mu$ V	72/74	
Rated output level	dB $\mu$ V	107	
Gain flatness	dB	$\pm 1$	
AGC	dB	0-18	
ATT	dB	0-18	
EQ	dB	0-18	
Noise figure	dB	<7.5	
Return loss	dB	14 (The limiting curve is defined at 85 MHz -1.5 dB / octave, at least 10)	
C/CTB	dB	60	@107dB $\mu$ V,EQ=8dB
C/CSO	dB	60	
Return Path			
Frequency range	MHz	5 ~85	
Gain	dB	17	
Gain flatness	dB	$\leq \pm 1$	
Return loss	dB	$\geq 16$	
General Performance			
Characteristics Impedance	$\Omega$	75	
Voltage Range	V	AC (90-240)V	
Power Consumption	W	$\leq 5$	
Size	mm	200(L) $\times$ 115(W) $\times$ 55(H)	

Note: The parameters of this manual are measured in the condition of EN50083-3, 42 channels.

## 4. Block Diagram



## 5. Structure Description

