

PRODUCT FAMILY	DESCRIPTION
LGX OPTICAL MODULES	LGX CWDM MODULES
FEATURES	FEATURES
	<ul style="list-style-type: none"> >> Excellent isolation >> Field proven full-blown technology >> Low insertion loss over whole temperature range >> An additional 1310 nm extension port

SPECIFICATIONS

LGX572 - 4-ch CWDM MULTIPLEXER/DEMULTIPLEXER

PRODUCT MODEL	WAVELENGTH ALLOCATIONS
LGX572 S7E	1310, 1471, 1491, 1511 and 1531 nm
LGX572 C1E	1310, 1511, 1531, 1551 and 1571 nm
LGX572 C5E	1310, 1551, 1571, 1591 and 1611 nm

PARAMETER	VALUE	PARAMETER	VALUE
ENCLOSURE	Single width LGX module	OPERATING WAVELENGTH RANGE	1270...1350 nm and 1500...1580 nm
INSERTION LOSS OF CWDM PORTS	1.0 dB (max. 1.5 dB)	INSERTION LOSS OF 1310 NM PORT	1.0 dB (max. 1.5 dB)
CWDM CHANNEL BANDWIDTH	±6.5 nm	1310 NM CHANNEL BANDWIDTH	1270...1350 nm
ADJACENT CHANNEL ISOLATION	30 dB	NON-ADJACENT CHANNEL ISOLATION	45 dB
DIRECTIVITY	45 dB	RETURN LOSS	45 dB
MAX. OPTICAL POWER	300 mW	NUMBER OF OPTICAL PORTS	6

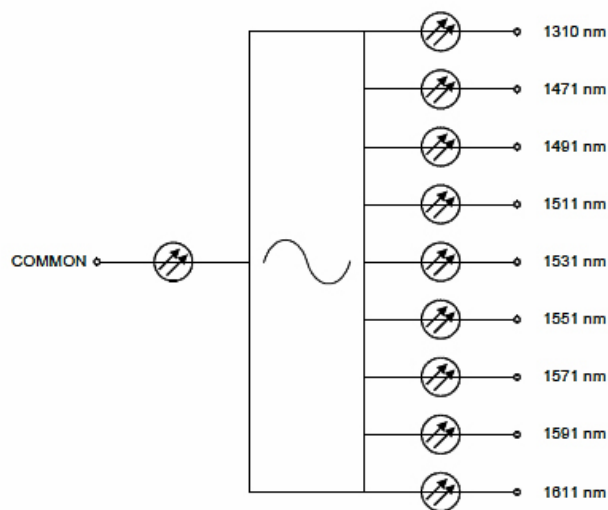
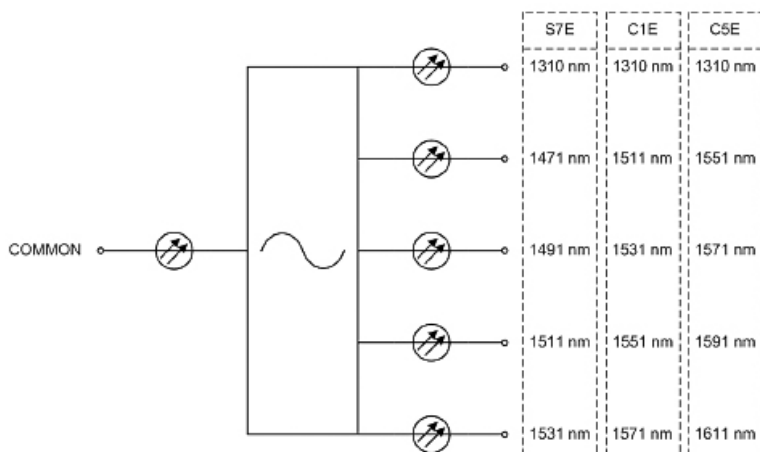
LGX574 - 8-ch CWDM MULTIPLEXER/ DEMULTIPLEXER

PRODUCT MODEL		WAVELENGTH ALLOCATIONS	
LGX574 S7E		1471, 1491, 1511, 1531, 1551, 1571, 1591, 1611 and 1310 nm	
PARAMETER	VALUE	PARAMETER	VALUE
ENCLOSURE	Single width LGX module	OPERATING WAVELENGTH RANGE	1270...1350 nm and 1460...1620 nm
INSERTION LOSS OF CWDM PORTS	1.2 dB (max. 1.7 dB)	INSERTION LOSS OF 1310 NM PORT	1.0 dB (max. 1.5 dB)
1310 NM CHANNEL BANDWIDTH	1270...1350 nm	CWDM CHANNEL BANDWIDTH	±6.5 nm
NON-ADJACENT CHANNEL ISOLATION	45 dB	ADJACENT CHANNEL ISOLATION	30 dB
RETURN LOSS	45 dB	DIRECTIVITY	45 dB
NUMBER OF OPTICAL PORTS	10	MAXIMUM OPTICAL POWER	300 mW

BLOCK DIAGRAMS

LGX572

LGX574



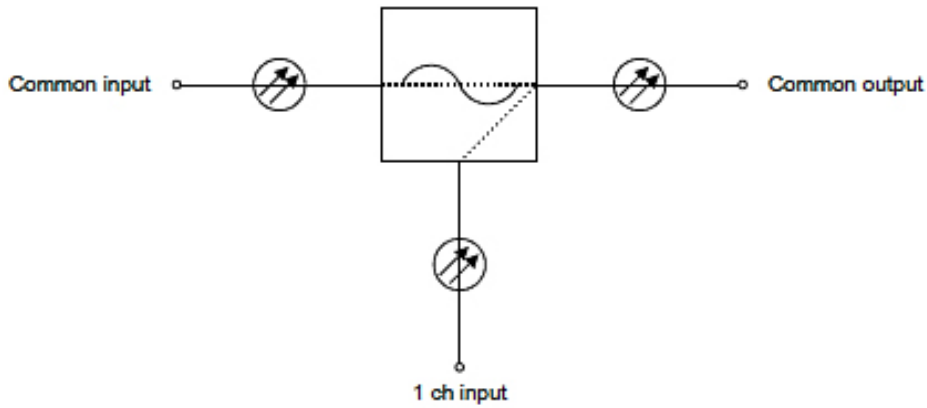
LGX578 O7 16-ch CWDM MULTIPLEXER/ DEMULTIPLEXER

PARAMETER	VALUE	PARAMETER	VALUE
ENCLOSURE	Double width LGX module	OPERATING WAVELENGTH RANGE	1270...1620 nm
WAVELENGTHS	1271, 1291, 1311, 1331, 1351, 1371, 1391, 1411, 1471, 1491, 1511, 1531, 1551, 1571, 1591, 1611 and 1310 nm	INSERTION LOSS OF CWDM PORTS	2.3 dB (max. 3.2 dB)
CWDM CHANNEL BANDWIDTH	±6.5 nm	ADJACENT CHANNEL ISOLATION	30 dB
NON-ADJACENT CHANNEL ISOLATION	45dB	DIRECTIVITY	45 dB
RETURN LOSS	45 dB	MAXIMUM OPTICAL POWER	300 mW
NUMBER OF OPTICAL PORTS	17		

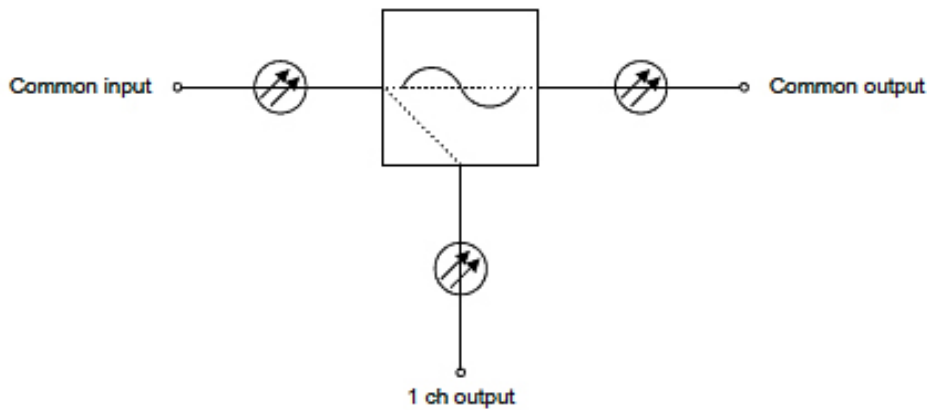
LGX570 xxxx 1-ch CWDM ADD/DROP FILTER			
PARAMETER	VALUE	PARAMETER	VALUE
ENCLOSURE	Single width LGX module	OPERATING WAVELENGTH RANGE	1460...1620 nm
ADD-DROP WAVELENGTH OPTIONS	1471, 1491, 1511, 1531, 1551, 1571, 1591 or 1611 nm	INSERTION LOSS OF CWDM PORTS	1.0 dB
PASS BAND RIPPLE	0.5 dB	CHANNEL BANDWIDTH	±6.5 nm
ADJACENT CHANNEL ISOLATION	30 dB	NON-ADJACENT CHANNEL ISOLATION	40 dB
RETURN LOSS	45 dB	NUMBER OF OPTICAL PORTS	3
WAVELENGTHS AND PRODUCT NAMING	LGX570 XXXX (XXXX = ITU ch) Example: LGX570 1611 (Centre wavelength 1611 nm)		

BLOCK DIAGRAM

LGX570



ADD FUNCTION



DROP FUNCTION

GENERAL SPECIFICATION			
PARAMETER	VALUE	PARAMETER	VALUE
OPTICAL CONNECTOR	SC/APC	DIMENSION - SINGLE WIDTH MODULE	130(100) x 160 x 29 mm (h x d x w)
DIMENSION - DOUBLE WIDTH MODULE	130(100) x 160 x 58 mm (h x d x w)	WEIGHT - SINGLE WIDTH MODULE	0.2 kg
WEIGHT - DOUBLE WIDTH MODULE	0.3 kg	TEMP. RANGE	-20...+75 °C
OPERATING RELATIVE HUMIDITY	0...85 %		