

WF-1232KL-II Bi-directional Amplifier

1. Product Overview

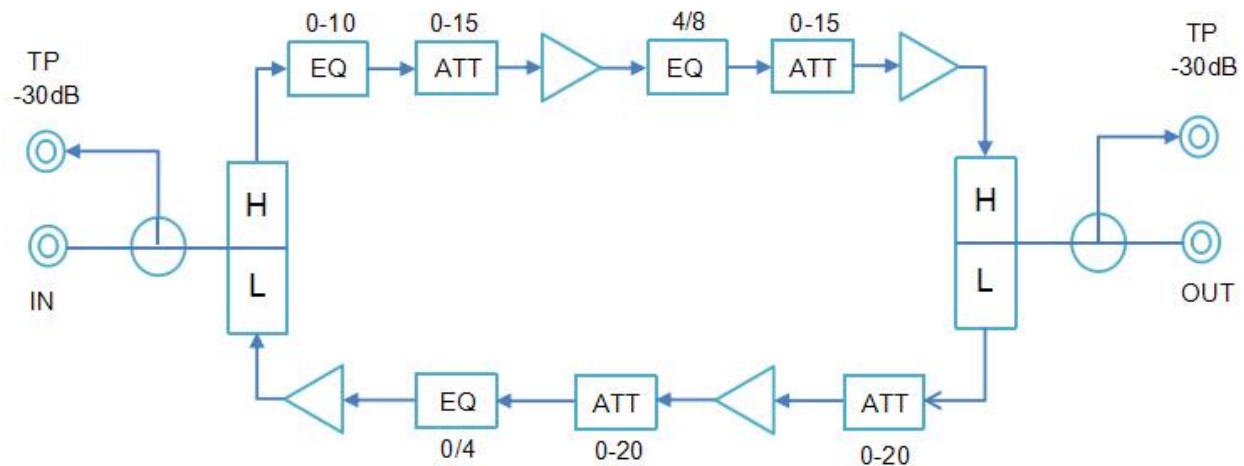
WF-1232KL-II building amplifier is suitable for HFC bidirectional network, which mainly used to amplify CATV image and digital signals. It is a remote terminal in the CATV transmission system with reasonable circuit, scientific structure and excellent performance index.



2. Performance Characteristics

- Broadband, the highest frequency can be 1218MHz.
- Full GaAs MMIC amplifiers.
- Plug-in equalizer and attenuator. External RF test port.
- Aluminum die-cast housing, the thickness of the whole machine is only 55mm.

3. Structure Diagram



4. Technical Parameter

Item	Unit	Parameter	
Downstream			
Frequency range	MHz	110 -1218	
Minimum gain	dB	32	
Flatness in Band	dB	±1	
Return loss	dB	> 16	@110MHz, -1.5 dB/octave, Min>11
Noise figure	dB	< 7	
Input ATT	dB	0-15	
Input EQ	dB	0-10	
Interstage ATT	dB	0-15	
Interstage EQ	dB	4/8	
CNR	dB	≥52	European standard 41CH analog signal, input: 75dBuV, Output: 107dBuV@1218MHz,
CTB	dB	≥60	

CSO	dB	≥60	Interstage EQ: 8dB
MER	dB	≥40	110-862 MHz in full configuration, QAM256 digital signal Input: 75dBuV, Output: 104dBuV @ 1218MHz Interstage ATT: 3dB, interstage EQ: 8dB
BER		1.00E-09	
Upstream			
Frequency range	MHz	30-85	
Gain	dB	≥23	
Flatness in Band	dB	±1	
Return loss	dB	> 15	
Noise figure	dB	< 6	
Input ATT	dB	0-20	
Interstage ATT	dB	0-20	
Interstage EQ	dB	0/4	
MER	dB	≥38	European standard 41CH analog signal, EQ: 8 dB Output level 110 dBuV @ 1218MHz
BER		1.00E-09	
NPR dynamic range	dB	> 30	@36 dB CNIR
Others			
Waterproof level		IP41	
Supply voltage	V	90-240	
Test port	dB	-30±2	
F connector		Inch, female	
EMC		EN50083-2-2006 table10-classA	
Impedance	Ω	75	
Power consumption	W	< 18	
Surge	KV	4 (RF port)	
ESD	KV	2 (RF port)	
Operating temperature	°C	-20 ~ +50	
Dimension	mm	200(L)×115(W)×55(H)	

5. Structure Diagram

